

## INDICATIONS FOR USE

The PARI LC PLUS® Reusable Nebulizer (PARI LC PLUS) represents the device component of the Kitabis® Pak co-package. The PARI LC PLUS Nebulizer is to be used to deliver the tobramycin inhalation solution contained within the Kitabis Pak.

## A. SAFETY PRECAUTIONS

### ⚠ CAUTION

The PARI LC PLUS is a handheld nebulizer designed to aerosolize the tobramycin inhalation solution included in the Kitabis Pak. The PARI LC PLUS is intended for adult and pediatric patients consistent with the indications for the Kitabis Pak. Improper use can result in serious or fatal illness or injury. Nebulizer is not sterile.

### ⚠ WARNING

Use only when prescribed by a physician and with the prescribed medication.

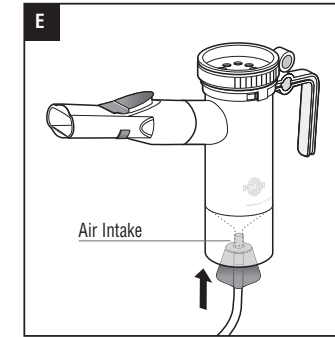
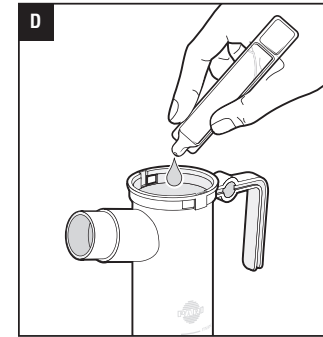
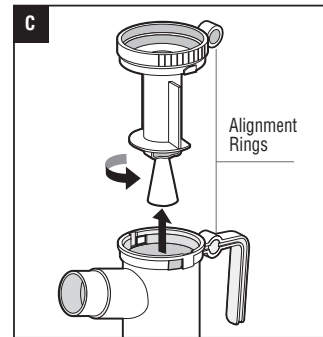
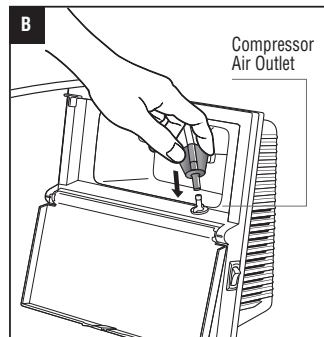
### ⚠ WARNING

1. To reduce the risk of bacterial growth, infection, illness, or injury from contamination: thoroughly clean and dry all parts of the nebulizer and thoroughly dry any moisture or condensation in the Tubing at the end of every treatment following the instructions in Section C.
2. Cleaning the nebulizer after each treatment is not enough, you must regularly disinfect or sterilize the nebulizer between treatments to prevent serious or fatal illness caused by contamination of the nebulizer.

3. Never use a nebulizer with a clogged nozzle. If the nozzle is clogged, the aerosol mist will be reduced, altered, or stopped, which will diminish or eliminate the effectiveness of the treatment. If clogging occurs, replace the PARI LC PLUS.
4. Close supervision is necessary when this product is used by or near children and physically or mentally impaired patients. Never use when sleeping or drowsy.
5. This product contains small parts that may present a choking hazard to small children. The Tubing also presents a strangulation hazard. ALWAYS USE CLOSE ADULT SUPERVISION WHEN ADMINISTERING A TREATMENT TO A CHILD. DO NOT LEAVE CHILD UNATTENDED DURING TREATMENT.
6. Before use, check the PARI LC PLUS for proper assembly. All parts should be seated firmly in place. Use of an improperly assembled nebulizer could diminish or prevent adequate delivery of medication and the effectiveness of the treatment.

## B. PARI LC PLUS SET-UP

1. **Identify Parts:** Lay out the contents of the PARI LC PLUS package on a lint-free towel. Referring to the cover of these Instructions, you should have the following parts:
  - Nebulizer Insert or “Top”
  - Nebulizer Cup or “Bottom”
  - Inspiratory Valve Cap
  - Mouthpiece with Expiratory Valve
  - Tubing
2. **Clean/Disinfect Nebulizer Cup:** Refer to Sections C and D to clean and disinfect your PARI LC PLUS prior to first use. Re-assemble Nebulizer.
3. **Connect Tubing To Compressor:** Connect one end of the Tubing to your compressor (FIG. B) to an electrical outlet.
4. **Load Medication:** Remove the Nebulizer Insert by twisting counter-clockwise until it stops and lift up (FIG. C). Pour tobramycin inhalation solution into the Nebulizer Cup (FIG. D). Never fill past the max fill line of 8ml. Replace the Nebulizer Insert ensuring the two alignment rings are lined up with each other.
5. **Attach Mouthpiece or Mask:** If using the Mouthpiece, attach the Mouthpiece to the nebulizer outlet with the Expiratory Valve facing up. Then attach the Inspiratory Valve Cap by pressing it firmly into the top of the Nebulizer. If using a mask, refer to the mask instructions.



6. **Attach Tubing To Nebulizer Cup:** Firmly press other end of the Tubing to the Air Intake on the bottom of the PARI LC PLUS (FIG. E).
7. **Starting Treatment:** Sit in a relaxed, upright position and turn compressor “ON”
8. **Nebulizer Position:** Place the Mouthpiece on top of tongue and close lips around it. Take slow, deep breaths. As you inhale, the Inspiratory Valve opens.
9. **Breathing:** Mouthpiece: inhale and exhale slowly through your mouth. As you exhale, the valve on the Mouthpiece opens to allow the exhaled mist to escape. Mask: place mask over nose and mouth and inhale and exhale slowly.
10. **Complete Treatment:** Continue until the tobramycin inhalation solution is gone or you hear a slight “sputtering” sound. Turn compressor “OFF”.

### C. CLEANING YOUR PARI LC PLUS

1. Disconnect the Tubing from the Air Intake on the bottom of the Nebulizer Cup.
2. If there is moisture (condensation) in the Tubing, let the compressor run with only the Tubing attached for 2-3 minutes. The warm air from the compressor will dry out the tubing. Alternatively, you can dry the Tubing by removing it from the compressor and hanging it up with the “ends down” to allow any moisture to drain out and evaporate. Use a clean damp cloth to wipe the exterior of the Tubing.
3. Disassemble the PARI LC PLUS parts as illustrated on the cover.
4. Wash all parts with warm water and liquid dish soap. **DO NOT WASH TUBING.**
5. Rinse PARI LC PLUS parts thoroughly with warm water and shake out water.
6. Air dry parts on a lint-free towel. Reassemble nebulizer when dry.
7. You can also wash all parts of the PARI LC PLUS on the top shelf of a dishwasher. **DO NOT WASH TUBING.** Place the PARI LC PLUS parts in a dishwasher basket, then place the basket on the top rack of the dishwasher. Remove and air dry the parts when the dishwasher cycle is complete.

**⚠ WARNING**

**TO REDUCE RISK OF INFECTION:**

1. Nebulizer for single patient use (one person) only. Do not share your nebulizer with other patients.
2. You must regularly disinfect or sterilize the nebulizer between treatments. Failure to do so could lead to serious or fatal illness.

### D. DISINFECTING YOUR PARI LC PLUS

1. Clean the Nebulizer as described in Section **C**. For low-level disinfection, every other treatment day soak all parts of the PARI LC PLUS (except Tubing and mask) in a solution of 1 part distilled white vinegar and 3 parts hot tap water for 1 hour. You can substitute respiratory equipment disinfectant (like Control III®) for distilled white vinegar (follow manufacturer’s instructions for mixing).
2. Rinse all parts of the PARI LC PLUS thoroughly with warm tap water and air dry parts on a lint-free towel. Discard the vinegar solution when disinfection is complete.
3. Alternatively the PARI LC PLUS Reusable Nebulizer parts (except Tubing and mask) may also be disinfected by boiling them in a clean pot of water for a full 5 minutes.
4. Hospitals and clinics can sterilize the PARI LC PLUS parts (except mask and Tubing) by autoclaving (a maximum of 277° F or 136° C), follow autoclave manufacturer’s instructions.
5. Reassemble Nebulizer when dry.

CONTROL III® IS A REGISTERED TRADEMARK OF MARIL PRODUCTS, INC.

**Manufactured by:**

PARI Respiratory Equipment, Inc.  
2412 PARI Way, Midlothian, VA 23112 USA  
Tel: 800.FAST.NEB (327.8632) and 804.253.7274  
Fax: 800.727.4112 | Product.Info@PARI.com  
Online at: www.PARI.com



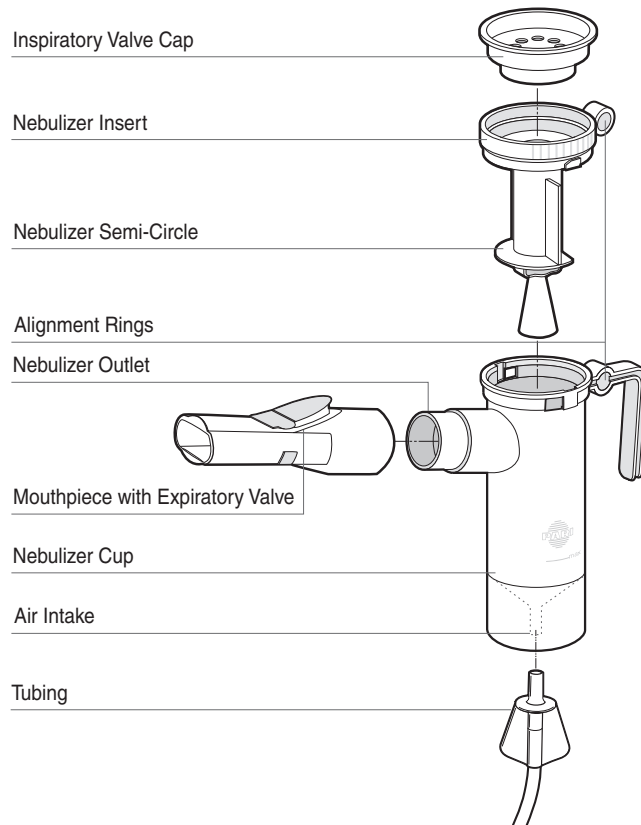
© 2016 PARI Respiratory Equipment, Inc.  
022D81-T Rev C 5-16

### INSTRUCTIONS FOR USE

For single patient use (one person) only



### PARI LC PLUS® REUSABLE NEBULIZER



**IMPORTANT: READ INSTRUCTIONS AND SAFETY PRECAUTIONS BEFORE USE**